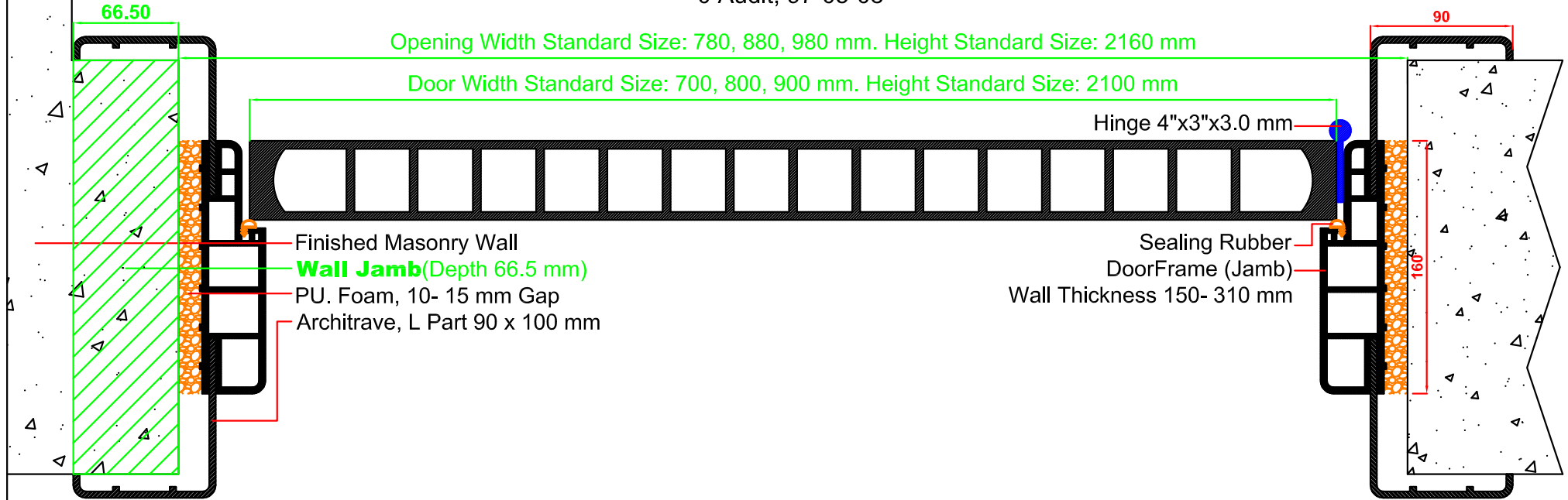


C.DOOR

WPC FLUSH Door & Luxe Frame

0 Audit, 97-05-08



WPC FLUSH Door & Luxe Frame Section

C.DOOR

Audit / Date / # Map:

0 Audit / 97-05-08 / #970508

Scale:

Original DWG $\frac{1}{1}$

Drawing:

MOSTAFA MOHAMMADI

Confirm:

MOSTAFA MOHAMMADI

Technical Details:

Wall Thichness:

150 - 310 mm

Complementary Profile:

No

Architrave Type:

90 x 100 mm